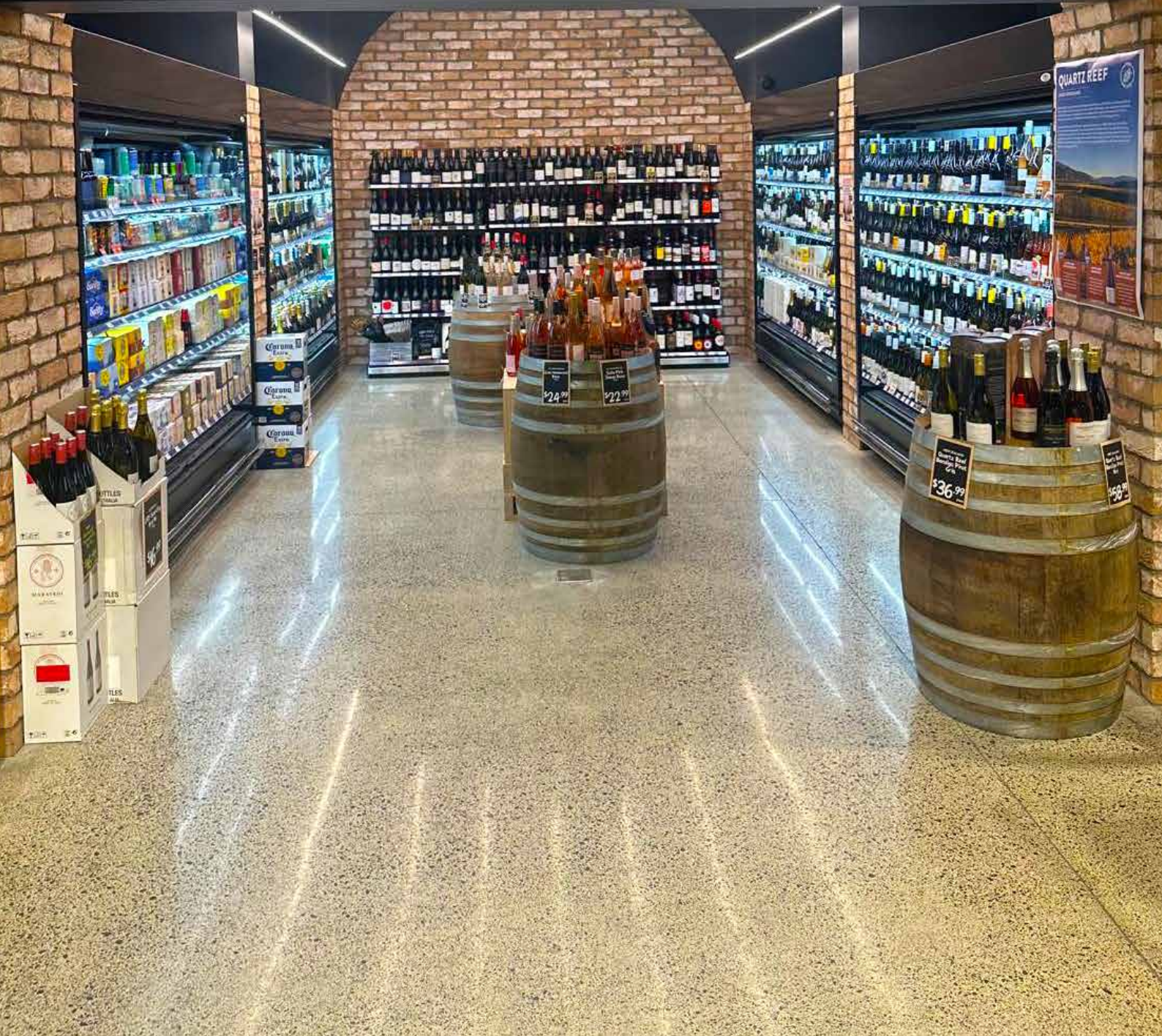




PRODUCT CATALOGUE

EFFECTIVE FROM

2024



CONTENTS

PAGE

CHILLERS

Counter Top and Under Bench.....	2
Under Bench and Small Vertical.....	3
Backbar and Bottle Coolers.....	4
Keg Cabinets and Pass Through Inserts.....	5
Vertical Display.....	6

FREEZERS

Counter Top, Under bench, Vertical.....	8
Vertical Display, Scoop Ice cream.....	9
Kitchen Storage and Preparation Cabinets.....	10
Blast Chiller / Freezers, Horizontal Chest & Display freezers.....	11
Horizontal Display Freezers.....	12
Horizontal Display Dual Temperature Freezer/Chillers.....	13

CHILLED FOOD DISPLAY

Café & Bakery, Deli & Meat Serve-Overs & Heated Multidecks.....	14
---	----

SPECIALTY CUSTOM BUILT DISPLAY CABINETS

Kinco.....	15
------------	----

MULTIDECK CHILLED

Vence.....	16
Iccold Metro.....	17
Genova.....	18
Low Height Multideck Chilled - Vienna.....	19

Portable Rooms and Refrigerated Trailers.....	20
--	-----------

Coolroom and Freezer Room Access Doors.....	21
--	-----------

Customer Access - Bomber Doors.....	22
--	-----------

Glass Door Retrofit System.....	23
--	-----------

Glass Door Insert and Shelving System.....	24
---	-----------

Hang Sell Solutions.....	26
---------------------------------	-----------

Wireless Temperature Monitoring.....	27
---	-----------

Projects.....	28
----------------------	-----------

REMOTE NARROW MULTIDECK CABINETS

Victoria Series.....	30
Volga Series.....	32
Vancouver Series.....	33
Venice and Venus Series.....	34

Essentec Condensing Units.....	35
---------------------------------------	-----------

Teko Roxsta Series.....	36
--------------------------------	-----------

Parts and Accessories.....	38
-----------------------------------	-----------

LED Lights - Glass Door Chiller or Freezer Insert.....	39
---	-----------

Certified service and repair agent for SilverChef.....	40
---	-----------

What else do we do?.....	41
---------------------------------	-----------

DELLWARE DW40T (No Compressor)

Silent Absorption Chiller

Dimensions:	402mm W x 440mm D x 560mm H	
Capacity:	40 litres	
Temperature range:	+2°C / +8°C	
Features:	Absorption cooling	Triple Glazed Glass door with lock
	Glass door with lock	Suitable for Hotels, Motels, Rest Homes & Offices
	Manual thermostat	



\$535

DELLWARE SC20

Counter Top Impulse Chiller

Dimensions:	356mm W x 420mm D x 480mm H	
Capacity:	20 litres (holds 2 x 2 litre milk bottles)	
Temperature range:	+1°C / +10°C	
Features:	Fan assisted cooling	LED internal light
	Glass door with lock	1 fixed shelf plus base shelf
	Manual thermostat	



\$625

DELLWARE SC20-MILK

Counter Top Milk Chiller (for Automated Coffee Machines)

Dimensions:	356mm W x 420mm D x 480mm H	
Capacity:	20 litres (holds 2 x 2 litre milk bottles)	
Temperature range:	+1°C / +10°C	
Features:	Fan assisted cooling	LED internal light
	Glass door with lock	4 x 6mm milk hose holes per side
	Manual thermostat	



\$645

HUSKY SC50W

Counter Top Impulse Chiller

Dimensions:	435mm W x 495mm D x 510mm H	
Capacity:	50 litres	
Temperature range:	+1°C / +10°C	
Features:	Fan assisted cooling	LED internal light
	Glass door with lock	Manual thermostat
	2 x chrome wire shelf (3 adjustment points)	



\$695

DELLWARE J85

Under Bench Chiller

Dimensions:	506mm W x 565mm D x 780mm H	
Capacity:	85 litres	
Temperature range:	+1°C / +10°C	
Features:	Fan assisted cooling	LED internal lighting
	Curved double glazed glass door, with lock	3 adjustable shelves
	Manual thermostat	Digital temperature display



\$825

TEFCOLD UR200SG

Under Counter Chiller

Dimensions:	600mm W x 600mm D x 850mm H	
Capacity:	127 litres	
Temperature range:	+2°C / +8°C	
Features:	Fan assisted cooling	3 adjustable shelves
	Glass door with lock	Digital thermostat and temperature display
	LED Internal light	Stainless steel exterior/white interior
	Reversible door-POA	



\$1,495

TEFCOLD FS1220

Single Door Chiller

Dimensions:	595mm W x 600mm D x 1315mm H	
Capacity:	215 litres	
Temperature range:	+1°C / +10°C	
Features:	Fan assisted cooling	4 adjustable shelves
	Glass door with lock	Manual thermostat
	LED Internal light	Temperature display
	Adjustable feet	White interior/exterior



\$1,725

Vertical Display Chillers

TEFCOLD FS1280



\$1,825

Dimensions:	595mm W x 600mm D x 1840mm H
Capacity:	317 litres
Temperature range:	+2°C to +8°C
Features:	Fan assisted cooling
	Glass door with lock
	LED Internal light
	4 adjustable shelves
	Manual thermostat
	Temperature display
	Adjustable feet
White exterior/interior	

TEFCOLD FS1380



\$1,895

Dimensions:	595mm W x 600mm D x 1980mm H
Capacity:	372 litres
Temperature range:	+2°C to +8°C
Features:	Fan assisted cooling
	Glass door with lock
	LED Internal light
	5 adjustable shelves
	Manual thermostat
	Temperature display
	Adjustable feet
	White exterior/interior

TEFCOLD FSC1380 FRIDGE WITH LIGHT BOX



\$1,975

Dimensions:	595mm W x 600mm D x 1980mm H
Capacity:	372 litres
Temperature range:	+2°C to +8°C
Features:	Illuminated light panel
	Fan assisted cooling
	Glass door with lock
	LED Internal light
	5 adjustable shelves
	Manual thermostat
	Temperature display
	Adjustable feet
	White exterior/interior

DELLWARE SC182H & SC182S

Back Bar or Under Bench Chillers (Hinged and Sliding Doors)

Dimensions:	900mm W x 525mm D x 870mm H		
Capacity:	190 litres		
Temperature range:	+1°C / +10°C		
Features:	Fan assisted cooling	LED internal lighting	
	Front vented, can be built into joinery etc	2 adjustable shelves per door	
	2 x hinged, glass doors, with lock-SC182H	2 x sliding, glass doors with lock-SC182S	
	Digital Controller		



\$1,495

DELLWARE SC288H & SC288S

Back Bar or Under Bench Chillers (Hinged and Sliding Doors)

Dimensions:	1355mm W x 525mm D x 870mm H		
Capacity:	288 litres		
Temperature range:	+1°C / +10°C		
Features:	Fan assisted cooling	LED internal lighting	
	Front vented, can be built into joinery etc	2 adjustable shelves per door	
	3 x hinged, glass doors, with lock-SC288H	3 x sliding, glass doors with lock-SC288S	
	Digital Controller		



\$2,195

DEBONAIR REMOTE REFRIGERATION - BOTTLE COOLERS

Hinged (BCHR) or Sliding (BCSR)

Dimensions:	600mm D x 900mm H	1200mm	1800mm	2400mm
Capacity:		388 Litres	599 Litres	811 Litres
Doors:		2 Doors	3 Doors	4 Doors
Temperature range:	+1°C - +6°C, +25°C / 65% RH			
Bottle Cooler Features:	Electronic Controller with LED temp display	Fan forced air flow		
	Model comes with a remote unit outside the model with LP/HP Switch and Drier	2 x sliding, double glazed glass doors (BCSR)		
	Cabinet colour: Black Interior / Exterior	Base toe runner, wheels or legs available		
	Low energy long life LED lights			

Custom made in New Zealand



2, 3 and 4 Door cabinets available - Price on Application

DEBONAIR INTEGRAL REFRIGERATION - BOTTLE COOLERS

Hinged (BCHI) or Sliding (BCSI)

Dimensions:	600mm D x 900mm H	1600mm	2200mm	2800mm
Capacity:		388 Litres	595 Litres	811 Litres
Doors:		2 Doors	3 Doors	4 Doors
Temperature range:	+1°C - +6°C, +25°C / 65% RH			
Bottle Cooler Features:	Electronic Controller with LED temp display	Fan forced air flow		
	Model comes with a cooling unit inside the cabinet, no installation required	Slide out condensing unit		
	2 x sliding, double glazed glass doors (BCSI)	2 x adjustable shelves per door		
	Cabinet colour: Black Interior / Exterior	Base toe runner		
	Low energy long life LED lights			



2, 3 and 4 Door cabinets available - Price on Application

KEG CABINETS AND PASS THROUGH INSERTS

DEBONAIR INTEGRAL REFRIGERATION - KEG CABINETS

Model:		KC2	KC3	KC4	KC5
Dimensions:	600mm D x 900mm H	1600mm	1900mm	2200mm	2600mm
Capacity:		2 x 50L KEGS	3 x 50L KEGS	4 x 50L KEGS	5 x 50L KEGS
Doors:		2 Doors	3 Doors	4 Doors	5 Doors



**2, 3, 4 and 5 Door cabinets available
- Price on Application**

PASS THROUGH INSERTS FOR COOL ROOMS

BCSP Range

Dimensions:	600mm D x 900mm H	1200mm	1800mm	2400mm
Capacity:		388 Litres	599 Litres	811 Litres
Doors:		2 Doors	3 Doors	4 Doors
Bottle Cooler Features:	Cabinets are pass through cabinet inserts for Cool Room use	Low energy long life LED lights with switch		
	Heated cabinet facia trim	Two shelf levels per door openings		
	Hinged door options to 1200mm + 1750mm height	Sliding door cabinet come sliding, self closing options in glass or solid panel		
	Hinged doors available in glass or solid panel			



**2, 3 and 4 Door
cabinets available -
Price on Application**

CUSTOM CABINET OPTIONS:

- Medium height cabinets (1200mm high) to suit all Bottle Cooler listed cabinets
- Double height cabinets (1750mm high) with sliding or hinged doors to suit all Bottle Cooler listed cabinets
- Double access cabinets with sliding or hinged doors on both sides
- Special builds to client specifications
- Bottle Cooler and Cabinet Cool Room insert sizes available up to 4800mm long



AS/NZ Compliance



MEPS Approved



PROCOOL UL400AL Single Door Chiller

Dimensions:	600mm W x 620mm D x 1925mm H
Capacity:	377 litres
Temperature range:	+1°C / +10°C
Features:	Fan assisted cooling
	Self closing glass door with lock
	Digital Controller
	Bottom mounted refrigeration system
	Illuminated light box
	4 adjustable shelves
	LED Internal Lighting
	Castors Fitted (2 with Brakes)



\$1,845

PROCOOL UL1000AL/UL1000ALS Double Door Chillers (Hinged Or Sliding Doors)

Dimensions:	1130mm W x 720mm D x 2020mm H
Capacity:	920 litres
Temperature range:	+1°C / +10°C
Features:	Bottom mounted refrigeration system
	Illuminated light box
	2 x hinged or sliding, self closing glass doors, with lock
	4 adjustable shelves per door
	Vertical LED Internal Lighting
	Castors Fitted (2 with Brakes)
	Digital Controller



\$2,990

TEFCOLD FSC890H/890S Double Door Chillers (Hinged or Sliding Doors)

Dimensions:	890mm W x 740mm D x 1990mm H
Capacity:	707 litres
Temperature range:	+2°C / +8°C
Features:	Bottom mount refrigeration system
	2 x hinged or sliding, self-closing glass doors with lock
	4 x adjustable shelves per door
	Vertical LED lighting
	Castors fitted
	Digital controller



FSC890 - HINGED
\$3,395

FSC890 - SLIDING
\$3,395

ICCOLD-FC BS75 Single Door Chiller

Dimensions:	750mm W x 710mm D x 2030mm H (without lightbox)	
Capacity:	650 litres	
Temperature range:	+1°C / +10°C	
Features:	Bottom Mounted Refrigeration system	Vertical LED lights
	Black Interior/Exterior	5 adjustable shelves
	Self closing glass doors	Digital Controller
	Castors Fitted (2 with Brakes)	Overall height with lightbox 2310mm
	Optional Illuminated light Box (280mm)	Power Supply 10 amps

Optional Light Box
Add **\$175**



\$2,430

ICCOLD-FC BD126 Double Door Chiller

Dimensions:	1253mm W x 710mm D x 2030mm H (without lightbox)	
Capacity:	1000 litres	
Temperature range:	+1°C / +10°C	
Features:	Bottom Mounted Refrigeration system	Vertical LED lights
	Black Interior/Exterior	5 adjustable shelves
	Self closing glass doors	Digital Controller
	Castors Fitted (2 with Brakes)	Power Supply 10 amps
	Optional Illuminated light Box (280mm) Overall height with lightbox 2310mm	

Optional Light Box
Add **\$195**



\$3,495

ICCOLD-FC BT188 Triple Door Chiller

Dimensions:	1880mm W x 710mm D x 2030mm H (without lightbox)	
Capacity:	1530 litres	
Temperature range:	+1°C / +10°C	
Features:	Bottom Mounted Refrigeration system	Vertical LED lights
	Optional Illuminated light	5 adjustable shelves
	Self closing glass doors	Digital Controller
	Castors Fitted (4 with Brakes)	Power Supply 10 amps
	Black Interior/Exterior Box (280mm) Overall height with lightbox 2310mm	

Optional Light Box
Add **\$245**



\$4,850



FREEZERS | COUNTER TOP, UNDER BENCH, VERTICAL

DELLWARE Counter Top Freezers SD50

Dimensions:	570mm W x 530mm D x 540mm H	
Capacity:	50 litres	
Temperature range:	-18°C / -20°C	
Features:	Self closing triple glazed glass door with lock	
	Static refrigeration	LED internal light
	Manual thermostat	2 adjustable shelves



\$985

DELLWARE Counter Top Freezers SD90

Dimensions:	610mm W x 540mm D x 670mm H	
Capacity:	90 litres	
Temperature range:	-18°C / -20°C	
Features:	Self closing triple glazed glass door with lock	
	Static refrigeration	LED internal light
	Manual thermostat	3 adjustable shelves



\$1,395

TEFCOLD UF200S Under Counter Freezer

Dimensions:	600mm W x 600mm D x 850mm H	
Temperature range:	-10°C / -20°C	
Capacity:	127 litres	
	Solid door with lock	Stainless steel exterior/white interior
	3 fixed shelves	Reversible door-POA
	Digital thermostat and temperature display	Static Refrigeration



\$1,895

DELLWARE SD170 Narrow Vertical Freezer



\$2,495

Dimensions:	435mm W x 595mm D x 1785mm H	
Capacity:	170 litres	
Temperature range:	-18°C / -20°C	
Features:	Self-closing triple glazed heated glass door	Digital controller with temperature display
	Illuminated Light Panel	10 adjustable shelves
	LED internal light	2 front feet with 2 rear wheels
	White interior / black exterior	

TEFCOLD NF2500G Vertical Display Freezer



\$4,490

Dimensions:	680mm W x 720mm D x 2020mm H	
Capacity:	515 litres	
Temperature range:	-14°C / -22°C	
Features:	Bottom Mount Refrigeration	5 adjustable shelves
	Illuminated Light Panel	Digital Controller
	Self-closing glass door	One way bottom rollers
	Vertical LED lighting	Power Supply 10 amps

ICCOLD FD BS75AH Single Door Freezer

Dimensions:	750mm W x 760mm D x 2030mm H (without lightbox)	
Capacity:	650 litres	
Temperature range:	-18°C / -22°C	
Features:	Bottom Mount Refrigeration	Vertical LED lights
	Black Interior/Exterior	5 adjustable shelves
	Self closing glass doors	Digital Controller
	Castors fitted-2 with brake	Overall height with lightbox 2310mm
	Optional Illuminated light Box (280mm)	Power Supply 10 amps

Optional Light Box
Add \$175



\$4,390

ICCOLD FD BD126AH Double Door Freezer

Dimensions:	1253mm W x 760mm D x 2030mm H (without lightbox)	
Capacity:	1000 litres	
Temperature range:	-18°C / -22°C	
Features:	Bottom Mount Refrigeration	Vertical LED lights
	Black Interior/Exterior	5 adjustable shelves per door
	Self closing glass doors	Digital Controller
	Castors fitted-2 with brake	Overall height with lightbox 2310mm
	Optional Illuminated light Box (280mm)	Power Supply 10 amps

Optional Light Box
Add \$195



\$6,740

ICCOLD FD BT188AH Three Door Freezer

Dimensions:	1880mm W x 760mm D x 2030mm H (without lightbox)	
Capacity:	1530 litres	
Temperature range:	-18°C / -22°C	
Features:	Bottom Mount Refrigeration	Vertical LED lights
	Black Interior/Exterior	5 adjustable shelves per door
	Self closing glass doors	Digital Controller
	Castors fitted-2 with brake	Overall height with lightbox 2310mm
	Optional Illuminated light Box (280mm)	Power Supply 15 amps

Optional Light Box
Add \$245



\$9,445

HIRON SD415S2 Ice Cream Freezer

Dimensions:	1350mm W x 838mm D x 1245mm H	
Capacity:	10 x 5 Litre trays or 8 x 16 Litre + 2 x 10 litre boxes	
Temperature range:	-14°C / -18°C	
Features:	Static cold-wall refrigeration	Flat glass canopy with internal light
	Sliding glass lids	Rear under storage compartment
	Castors fitted	Supplied complete with 10 x 5 litre rack frame
	Manual thermostat	



\$5,550



SHARECOOL GN Horizontal Chiller Workbench

Dimensions:	700mm D x 850mm H	
Temperature range:	+2°C / +8°C	
Features:	Fan assisted refrigeration	2 adjustable shelves per door
	Stainless steel interior/ exterior and work-top	Digital Controller
	Castors fitted	Self closing solid door

GN1100TN
1200mm long,
1 door, 250 litres,
Shelf dim -
630 x 605

\$2,750

GN2100TN
1360mm long,
2 doors, 260 litres,
Shelf dim -
328 x 570

\$3,150



GN3100TN
1795mm long,
3 doors, 400 litres,
Shelf dim - 328 x 570

\$3,450

GN4100TN
2230mm long,
4 doors, 540 litres,
Shelf dim - 328 x 570

\$3,950

SHARECOOL GN Horizontal Freezer Workbench

Dimensions:	700mm D x 850mm H	
Temperature range:	-18°C / -22°C	
Features:	Fan assisted refrigeration	2 adjustable shelves per door
	Stainless steel interior/ exterior and work-top	Digital Controller
	Castors fitted	Self closing solid door

GN1100BT
1200mm long,
1 door, 250 litres,
Shelf dim - 630 x 605

\$3,150

GN2100BT
1360mm long,
2 doors, 282 litres,
Shelf dim -
328 x 570

\$3,550



GN3100BT
1795mm long,
3 doors, 505 litres,
Shelf dim - 328 x 570

\$3,950

GN4100BT
2230mm long,
4 doors, 720 litres,
Shelf dim - 328 x 570

\$4,950

SHARECOOL GN650TN Vertical Single Door Chiller

Dimensions:	740mm W x 830mm D x 2040mm H	
Capacity:	580 litres	
Temperature range:	+2°C / +8°C	
Features:	Stainless steel interior/exterior	5 adjustable shelves 530mm W x 640mm D
	Self closing solid door	Digital Controller
	Castors fitted	



\$3,555

SHARECOOL GN650BT Vertical Single Door Freezer

Dimensions:	740mm W x 830mm D x 2040mm H	
Capacity:	580 litres	
Temperature range:	-18°C / -22°C	
Features:	Stainless steel interior/exterior	5 adjustable shelves 530mm W x 640mm D
	Self closing solid door	Digital Controller
	Castors fitted	



\$4,265

SHARECOOL GN1410TN Vertical Double Door Chiller

Dimensions:	1480mm W x 830mm D x 2040mm H	
Capacity:	1285 litres	
Temperature range:	+2°C / +8°C	
Features:	Stainless steel interior/exterior	5 adjustable shelves per door 530mm W x 640mm D
	Self closing solid doors	Digital Controller
	Castors fitted	



\$4,150

SHARECOOL GN1410BT Vertical Double Door Freezer

Dimensions:	1480mm W x 830mm D x 2040mm H	
Capacity:	1285 litres	
Temperature range:	-18°C / -22°C	
Features:	Stainless steel interior/exterior	5 adjustable shelves per door 530mm W x 640mm D
	Self closing solid doors	Digital Controller
	Castors fitted	



\$5,650

BLAST CHILLER / FREEZERS, HORIZONTAL CHEST & DISPLAY FREEZERS

BLAST CHILLER / FREEZER

		BC-5T	BC-10T
Width	mm	725	725
Depth	mm	795	795
Height	mm	865	1400
Temperature	°C	+30°C / -32°C	+30°C / -32°C
Capacity		90 Litres 5 x GN 1/1 Pans or 400mm x 600mm Trays	188 Litres 10 x GN 1/1 Pans or 400mm x 600mm Trays
Power Supply		10 Amp	
Features		Castors Fitted	



BC-5T



BC-10T

BC-5T

BC-10T

\$7,250

\$11,850

TEFCOLD CF-S Horizontal Chest Freezer

Dimensions:	716mm D x 885mm H	
Temperature range:	-14°C / -24°C	
Features:	Stainless steel work-top	Handle with lock
	Manual thermostat	Display thermometer
	Castors fitted	



CF300S 1015mm long, 296 litres

CF500S 1555mm long, 492 litres

CF700S 2055mm long, 675 litres

\$1,580

\$2,150

\$2,950

BAILI SD Horizontal Display Freezer

Dimensions:	936mm D x 770mm H	
Temperature range:	-18°C / -20°C	
Features:	Static, cold wall refrigeration	Glass sliding lids on rollers
	Lift out baskets	Digital temperature display
	Castors fitted	Manual thermostat



SD530 1536mm long, 530 litres

SD750 2036mm long, 750 litres

SD980 2536mm long, 980 litres

\$3,050

\$3,450

\$4,150



TEFCOLD IC SC RANGE

Dimensions:	630mm D x 892mm H
Temperature range:	-14°C / -22°C
Features:	Flat Glass Sliding lids with lock
	Static Refrigeration
	Lift out baskets
	Manual thermostat
	Temperature Display
	White Exterior, Stripped steel interior
Castors fitted, 2 lockable	

Model	Length	Baskets	Price
IC100SC	570mm	2	\$935
IC200SC	720mm	3	\$1,200
IC300SC	1000mm	4	\$1,450
IC400SC	1300mm	5	\$1,750
IC500SC	1550mm	7	\$1,950
IC700SC	2060mm	8	\$2,175



TEFCOLD SCEB Curved Glass Freezers

Dimensions:	615mm D x 949mm H
Temperature range:	-14°C / -22°C
Features:	Curved Glass Sliding lids with lock
	Static Refrigeration
	Lift out baskets
	Manual thermostat
	Temperature Display
	White Exterior, Stripped steel interior
Castors fitted, 2 lockable	

Model	Length	Baskets	Price
IC200SCEB	720mm	2	\$1,450
IC300SCEB	1000mm	4	\$1,700
IC400SCEB	1300mm	5	\$2,000
IC500SCEB	1550mm	7	\$2,200



A canopy version for scooping ice cream is also available.

HORIZONTAL DISPLAY DUAL TEMPERATURE FREEZER/CHILLERS

TEFCOLD UHD201 / BLACK Horizontal Trough-Dual Temperature Freezer/Chiller

Dimensions:	1015mm D x 962mm H x 1255mm W	
Temperature range:	Freezer -18°C/-24°C	
Temperature range:	Chiller -2°C / +5°C	
Capacity:	200 Litres	
Features:	Panorama side glass	Freezer / chiller
	Optional sliding lids	10 Amp
	Force draft auto defrost	LED internal lights
	Castors fitted x2 with brakes	Black exterior/white interior



Adjustable Base Racks

\$6,500

GENERAL FUSHI VIRGIN

Horizontal Trough-Dual Temperature Freezer/Chiller

Dimensions:	1040mm D x 945mm H	
Temperature range:	Freezer -18°C/-22°C	
Temperature range:	Chiller +1°C / +4°C	
Features:	Forced draft-auto defrost refrigeration	Panorama side glass
	Digital thermostat and temperature display	Castors fitted
	Black exterior/white interior	Chiller or Freezer
	Robust Trolley Bumpers	

VIS 1098SL-07,
2080mm long
\$8,650

VIS 1098SL-08,
2580mm long
\$9,380

With Glass Lids
VIS 1098SL-07DA LIDS
2080mm long
\$9,950

VIS 1098SL-08DA LIDS
2580mm long
\$10,680



ICCOLD ZCD Horizontal Auto Defrost Dual Temperature Freezer/Chiller

Dimensions:	850mm D x 930mm H	
Temperature range:	Freezer -18°C / -20°C	
Temperature range:	Chiller +1°C / +4°C	
Features:	Static refrigeration Auto defrost	LED internal lights
	Push-up lids	Angled display towards customer
	Robust internal racks	Digital controller

Flexible location options-stand alone or line-up.
Trim and joining kits. Price on application.



ZCD-E185S (end case), 1850mm long 630 litres
\$4,440

ZCD-L210S, 2100mm long 850 litres
\$4,890

ZCD-L250S, 2500mm long 1000 litres
\$5,450



Extra display stand available when cabinets are backed against each other

2.1m ZCD Display Shelf **\$220+GST**

2.5m ZCD Display Shelf **\$250+GST**



SHARECOOL Café & Bakery Display Cabinets

Dimensions:	700mm D x 1350mm H	
Temperature range:	+2°C / +6°C	
Features:	Fan assisted refrigeration	LED top and shelf lighting
	Stainless steel base	3 adjustable shelves plus base shelf
	Double glazed front, side and top glass	Double glazed rear sliding doors
	Castors fitted - 2 with brake	Digital thermostat and temperature display
		Anti Fog System



FSC09, 900mm Long FSC12, 1200mm Long FSC15, 1500mm Long FSC18, 1800mm Long
\$5,550 **\$5,950** **\$6,850** **\$7,850**

VENICE - VSGBJM Integral Serve-Over Cabinets

Dimensions:	1160mm D x 1230mm H	
Temperature range:	-1°C / +10°C	
Features:	Fan assisted refrigeration	Internal LED light
	Straight lift-up front glass	Black Exterior
	Stainless Steel Interior	Digital thermostat and temperature display
	Castors with Levelling Feet	Panoramic Glass End Walls



VSGBJM-P04A, 1330mm Long VSGBJM-P06A, 1945mm Long VSGBJM-P0BA, 2580mm Long VSGBJM-12A, 3780mm Long
\$9,305 **\$11,995** **\$14,315** **\$17,495**

NEWGEN MD Heated Multideck Food Display

Dimensions:	975mm D x 1905mm H	
Temperature range:	+65°C / +85°C	
Square Glass Features:	Heated fan assisted air curtain technology	Illuminated light panel
	Pre Heat Curtain	Top canopy lights
	3x stainless steel shelves plus base shelf	Panoramic glass end walls
	Castors fitted as standard - 2 with brake	Digital thermostat and temperature control



MD120 Only available with Doors

MD35, 360mm long MD60, 600mm long MD100, 1020mm long MD120, 1200mm long
\$9,620 **\$10,540** **\$12,890** **\$16,650**

KINCO

KINCO is a leading custom build manufacturer based in Taiwan. Their main point of difference is their design, manufacture, assembly and testing processes are completed in house where quality control can be rigorously monitored.

KINCO manufacture predominantly in stainless steel and powder-coated finishes however they also produce their own marble and granite and bend their own glass, meaning they can provide quick lead times in a variety of quality finish options.

Many of the leading global food chains have turned to Kinco for customised display case solutions. These include Starbucks, Gloria Jeans, Coffee Club, Carls Jnr and McCafé.

KINCO manufacture impressive display and storage cabinet solutions for a wide variety of applications including; Bakeries and Cafés, Delis and Restaurants, Chocolate displays, Gelato and Ice-cream showcases, Specialty display and storage cabinets.

Let us know your requirements and we'll provide a detailed solution to suit your needs and exceed your expectations.

Bakery And Café

Cabinet display options include:

COUNTER TOP DISPLAY

Curved or Square glass
Serve-over display
Curved or Square glass

TEMPERATURE OPTIONS

Cold
Hot
Ambient
Chilled-Ambient

TOWER CABINETS

Fixed front
Sliding doors
Open front

OTHER OPTIONS

Parcel Rails
Bag & Tong Holders
Point of Sale
Counters
Coffee Counters



Delicatessen Restaurant And Supermarket

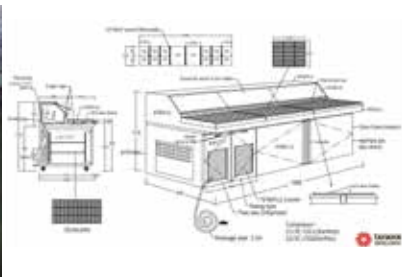
Cabinet display options include:

- Single cabinet or multiple cabinet line-ups
- Temperature ranges to suit the application
- Integral or remote refrigeration
- Custom sizes with high-end finish options including marble and granite



Food Preparation & Custom Displays

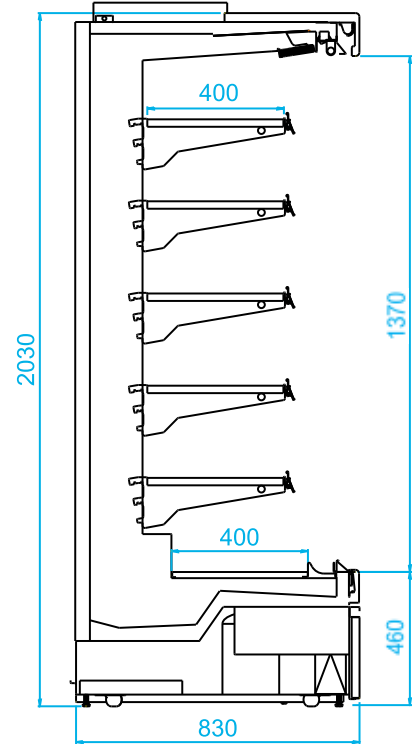
- Refrigerated ingredients wells and prep benches
- Pizza, Salad and Sandwich prep counters
- Seafood display cabinets
- Chocolate and Gelato displays



The **VENCE MULTIDECK** is a stylish yet robust display cabinet suitable for many applications. The low front creates a large, well-lit display area with top canopy and LED shelf lighting to each level. Available in 4 lengths and suitable for a variety of product types including Fresh meat, Dairy and Produce.

STANDARD FEATURES

- Panoramic Glass End Walls
- 5 Adjustable Shelves Plus Base
- Manual Night Blinds
- Digital Controller
- Black Interior / Exterior
- LED Shelf & Top Canopy Lighting
- Automatic Evaporation
- Castors Fitted



VENCE - VVS1939D					
Model		R/P03A	R/P04A	R/P06A	R/P08A
Width including wall ends	mm	1017	1330	1960	2580
Depth mm	mm	830			
Height mm	mm	2030			
Temperature	C°	+2°C / +7°C			
Power	Amps	10	10	15	15
Pricing		\$7,950	\$9,950	\$12,495	\$14,995



The **ICCOLD METRO MULTIDECK** is a highly energy efficient display cabinet suitable for Convenience stores and Supermarkets.

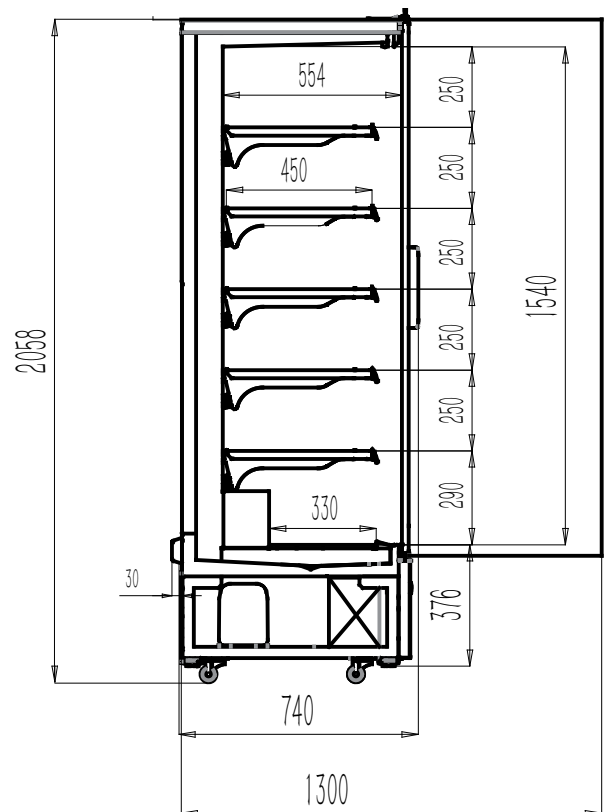
The Energy consumption is around 50% less than a traditional Integral Multi-deck with-out doors.

Innovative design features include Self-closing Low-E Glass doors and pull out draw type Condensing unit making the Metro a leading edge merchandiser

STANDARD FEATURES

- Panoramic Glass End Walls
- Self-closing glass doors, double glazed, Low E
- 5 Adjustable shelves plus Base
- LED shelf lighting
- Digital Controller
- Black Interior/Exterior
- Pull-out drawer type condensing unit for convenient servicing
- Automatic Evaporation
- Castors fitted

ICCOLD METRO				
Model		VFC-ID125 2 doors	VFC-ID187 3 doors	VFC-ID250 4 doors
Width including wall ends	mm	1310	1935	2560
Depth mm	mm	740		
Height mm	mm	2010		
Temperature	C°	-1°C / +5°C		
Power	Amps	10	10	10
Pricing		\$9,950	\$12,495	\$14,995



The **GENOVA MULTIDECK** has unique features typical of a full-size Supermarket case but with the flexibility of integral (plug-in) refrigeration.

Large internal display capacity and Low Energy consumption are key features of this high quality merchandiser.

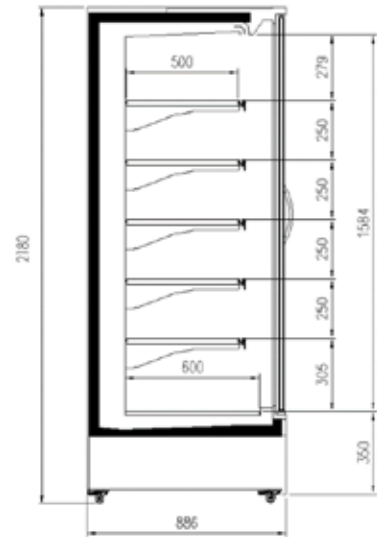
The **GENOVA MULTIDECK** is available in 4 lengths and can be multiplexed (joined) to make a virtually seamless line-up.

GENOVA MULTI-DECK					
Model		GEN937	GEN1250	GEN1875	GEN2500
Width including wall ends	mm	1017	1330	1955	2580
Depth mm	mm	850			
Height mm (Including Castors)	mm	2180			
Temperature	C°	+1°C / +5°C			
Power	Amps	10	10	10	10
Pricing		\$14,500	\$17,995	\$19,875	\$22,875



STANDARD FEATURES

- Double Glazed, Self-closing glass doors
- Panoramic Glass end walls
- 5 Adjustable shelves plus base
- LED Shelf and Canopy lighting
- Digital controller
- Black interior/exterior
- Pull-out drawer type condensing unit for ease of service
- Automatic evaporation
- Castors fitted



GENOVA OPTION
Matching Freezer
Low Height Multideck



CHILLER

FREEZER

The **VIENNA LOW HEIGHT MULTI DECK** is a quality display solution for a large number of applications. Being a $\frac{3}{4}$ height merchandiser means that a complimentary display can be built around the cabinet or as a stand alone option customers can still view the rest of the store.

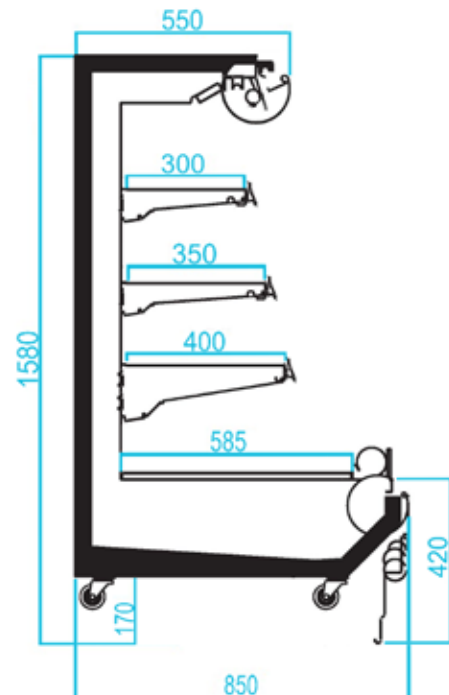
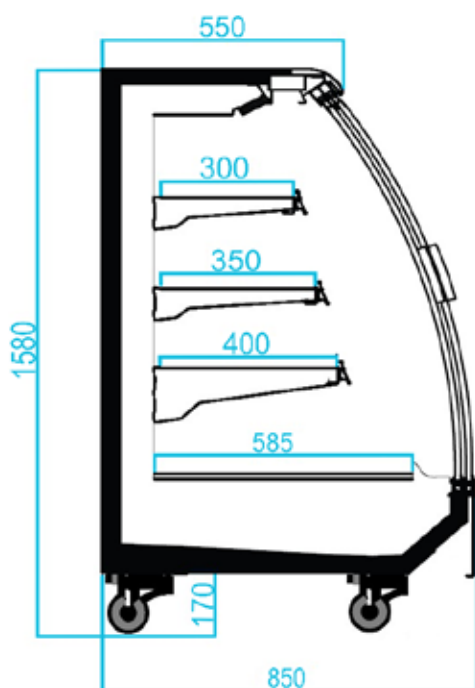
Available in 3 lengths and can be multiplexed (joined) to make a virtually seamless lineup and suitable for a variety of product types including Fresh meat, Dairy and Produce.

STANDARD FEATURES

- Panoramic glass end walls
- 3 adjustable shelves plus base
- Manual night blinds-open cabinet only
- Digital controller
- Black interior/exterior
- LED Shelf and Top canopy lighting
- Automatic Evaporation
- Castors fitted



VIENNA VVN1558				
Model		P04A	P06A	P08A
Width including wall ends	mm	1440	2065	2690
Depth mm	mm	850		
Height mm (Including Castors)	mm	1580		
Temperature	C°	+2°C / +7°C		
Power	Amps	10	10	15
Pricing without Doors		\$9,780	\$11,350	\$13,985
Model with Doors		P04DC	P06DC	P08DC
Pricing with Doors		\$11,280	\$13,440	\$16,975



COOL ROOMS

CoSell Limited design, supply and install Cool rooms and Freezer rooms for many general purpose applications such as:

- Hospitality - Restaurant & Cafes
- Manufacturers and Wholesalers
- Combination rooms - display and storage where space is at a premium
- Specialty temperature and humidification rooms
- Blast Chillers and Freezers
- Kitset Coolrooms and Freezers

PRODUCT FEATURES:

- Quality commercial materials and components
- Refrigeration from world leading manufacturers
- After sales support and service

OPTIONS:

- On Runners
- Ply or treadplate floor
- Suitable for outside or inside
- Hinge and Sliding Door



CHILLER TRAILERS

New Zealand made Refrigerated Trailers and Refrigerated Rooms perfect for functions or stock overflow. Built in CoSell's Christchurch factory to meet customers specifications. Standard options include:

CHILLER / FREEZER TRAILERS

- **Small trailers box size:**
2.0 x 1.4 x 1.7m (H), suitable for catering for 100-125 people
- **Med trailer box size:**
2.4 x 1.8 x 1.9m (H)
- **Large trailers box size:**
3.0 x 2.0 x 2.2m (H), trailers for bigger events



- Full Surround PBFS2080 and Wiper Gasket - PBWG2080
- Hinged access doors suitable for Coolrooms and Freezer Room applications
- Dual purpose doors with heated frames - 2000mm High x 800mm clear opening
- Reversible door hinging
- Quality egress door hardware, latch with safety release
- Simple installation - full kit provided, no additional extrusion or hardware required

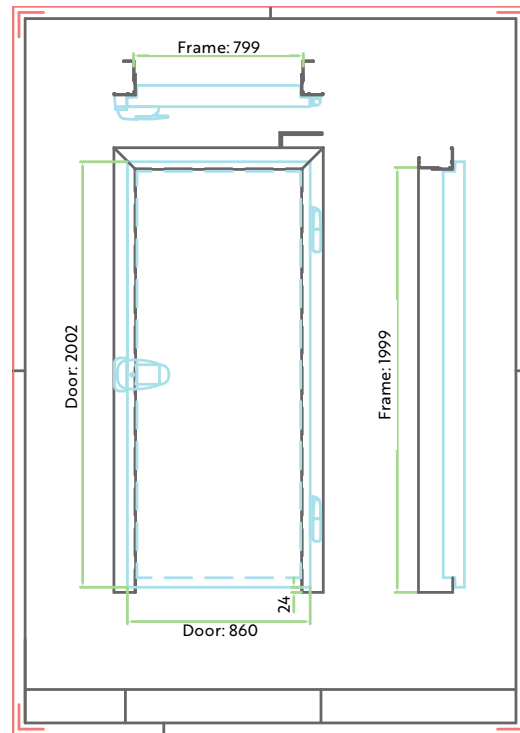
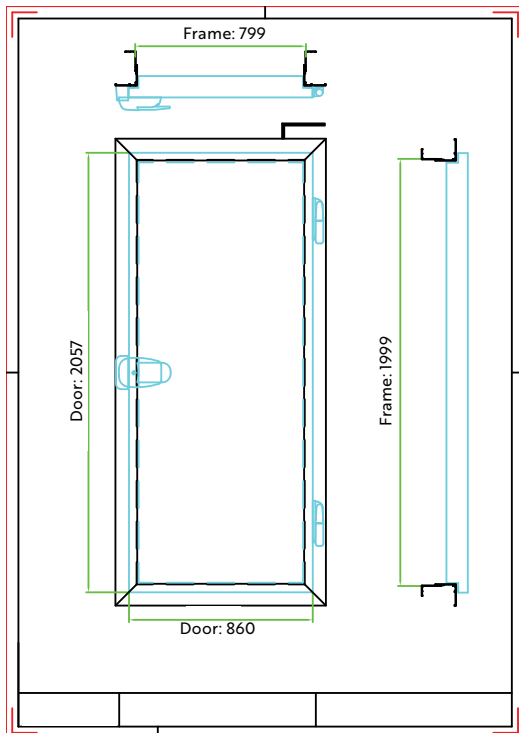


FULL SURROUND DOOR FRAME PBFS 2080

\$2,295 + GST

WIPER GASKET DOOR FRAME PBWG 2080

\$2,195 + GST





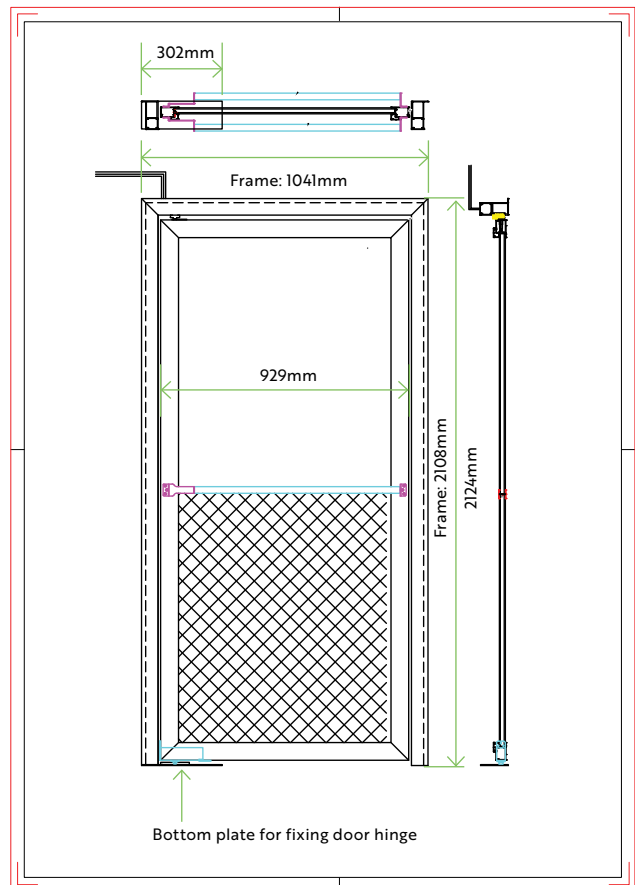
- Double Action Hinged Door with View Window
- Available Left Hand or Right Hand Hinged
- Frame Heating
- Full Installation Kit Provided

LEFT HAND HINGED - PBBDLH

\$2,995

RIGHT HAND HINGED - PBBDRH

\$2,995



GLASS DOOR RETROFIT SYSTEM

Energy Saving is a key focus of the CoSell business. No one factor can provide a more dramatic energy cost reduction than fitting glass doors onto existing open Multidecks and Glass sliding lids onto Trough freezers.

The Energy reduction can be as much as 50% providing a relatively short pay back period and sustained long term cost savings for the business.

Glass doors do not only provide energy saving, they also dramatically improve the temperature performance of the chiller or freezer which in turn prolongs the shelf life and integrity of the food.

Cold aisles are also an issue in many stores with customers unlikely to prolong shopping due to the cold so they will in effect buy less per store visit.

Retrofitting Glass doors addresses this issue and dramatically improves customer's comfort.

The CoSell Glass Door Retrofit System can be tailored to nearly all models of Multideck or Trough Freezer.



LET OUR EXPERIENCE HELP YOU FIND THE RIGHT SOLUTION FOR YOUR STORE.



Modular Chiller and Freezer Glass door insert system for display coolrooms and freezer rooms. Frames are available in 1, 2, 3, 4 & 5 door modules and can be easily joined to make any combination of doors required.

All doors are reversible and can be LH or RH hinged. (LH Opening Standard). Self closing condensation free doors.



CHILLER DOORS - HEATED, DOUBLE GLAZED, ARGON FILLED						
Black Finish - Heated Frame - LED Mullion Lights with Transformer						
Doors		1 Door	2 Door	3 Door	4 Door	5 Door
Width	mm	760	1476	2204	2928	3660
Height	mm	1775				

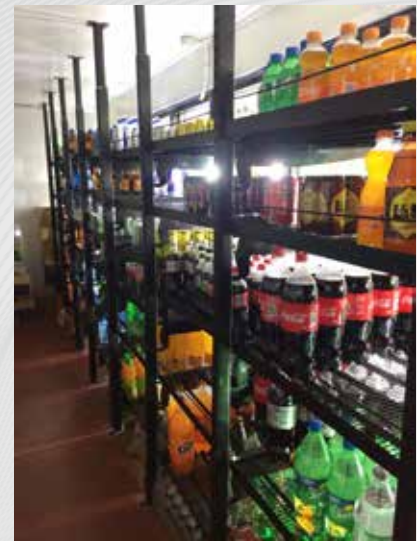
COSELL GLASS DOOR INSERT SYSTEM ADVANTAGES

- Reduced energy costs, combination storage and display rooms can be built to allow rear loading of chilled or frozen product without the need for a separate refrigeration system
- Glass door displays are considerably more energy efficient than open front display cabinets
- Better space utilisation, expensive shop footprints can be better maximised using a vertical glass door display system

SHELVING - 5 SHELVES PER DOOR WITH TELESCOPIC POSTS										
Shelves supplied complete with brackets and front / rear stoppers										
Doors	1	2	3	4	5	6	7	8	9	10
Posts	2	3	4	5	6	8	9	10	11	12
Shelves	5	10	15	20	25	30	35	40	45	50

SHELVING

- Fully adjustable shelving system
- Telescopic posts, adjustable to suit the height of the room
- Standard 5 tiers per bay
- Robust, black powder-coat steel shelves 715mm wide x 585mm deep



GRAVITY FEED SHELVING SYSTEM

The patented 'Roller deck' and divider system simply sits on the shelf and the gradient of the product angle is adjusted through the shelf bracket. The CoSell Gravity Feed Shelving matches our existing shelving. Wire dividers, acrylic front and rear stoppers ensure that the products can be uniformly displayed, easily picked by the customer and quickly reloaded by staff.



Prices shown are for frames complete with doors.

CHILLER DOORS - HEATED, DOUBLE GLAZED

OPENING	SIZE (WIDTH X HEIGHT)	PRICE
1 door frame	760mm x 1775mm	\$1,810
2 door frame	1476mm x 1775mm	\$2,905
3 door frame	2204mm x 1775mm	\$4,220
4 door frame	2928mm x 1775mm	\$5,070
5 door frame	3660mm x 1775mm	\$6,105

Frames: Black finish, Heated frame, LED lights with transformer

FREEZER DOORS - HEATED, TRIPLE GLAZED

OPENING	SIZE (WIDTH X HEIGHT)	PRICE
1 door frame	760mm x 1775mm	\$2,050
2 door frame	1476mm x 1775mm	\$3,450
3 door frame	2204mm x 1775mm	\$4,680
4 door frame	2928mm x 1775mm	\$5,650
5 door frame	3660mm x 1775mm	\$6,800

Frames: Black finish, Heated frame, LED lights with transformer

All doors are reversible and can be LH or RH hinged. LH is standard hinging.

SHELVING

Prices shown are based on 5 adjustable shelves per door with telescopic posts. Shelves supplied complete with brackets and front and rear stoppers. Price ticket strips not included.

CONTENTS

1 door	2 posts, 5 shelves	\$890
2 door	3 posts, 10 shelves	\$1,800
3 door	4 posts, 15 shelves	\$2,600
4 door	5 posts, 20 shelves	\$3,400
5 door	6 posts, 25 shelves	\$4,300
6 door	8 posts, 30 shelves	\$4,950
7 door	9 posts, 35 shelves	\$5,850
8 door	10 posts, 40 shelves	\$6,595
9 door	11 posts, 45 shelves	\$7,450
10 door	12 posts, 50 shelves	\$8,250

ADDITIONAL COMPONENT PRICES

Extra shelf with brackets	Shelf with stoppers and 2 brackets	\$155
Price ticket holder	30mm high ticket strip, adhesive back, clear front	\$10
Gravity Shelf	Includes - roller deck, front and rear stoppers, 10 product dividers	\$245
Additional Wire product dividers		\$5



HANG SELL SOLUTIONS

Worried about the temperature integrity of your Hang Sell products, or just want to improve your display to encourage more sales?

Here are some innovative solutions from CoSell tailored for these products.

GLASS DOOR HANG SELL

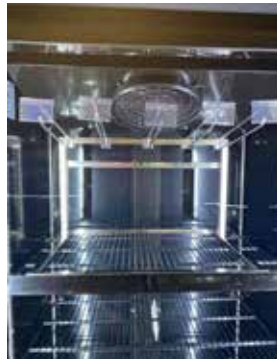
PS GD (glass door) Hang Sell is designed to fit our 1,2 & 3 Door ICCOLD Vertical Glass Door Chiller range but will also fit other models of glass door chiller.

The Hang Sell frame simply fits directly onto the shelf and each kit is supplied with 5 x 300mm deep prongs with price ticket flappers.

MODEL PS GD HANG SELL

- Supplied with 2 sizes of cross bars to suit a variety of products
- 5 x 300mm deep Hang Sell prongs with ticket flappers
- Frame dimensions 508mm wide x 405mm deep
- 304 Stainless steel
- Supplied in a kit, ready to install

Price \$260



MULTIDECK HANG SELL

PS MD (Multideck) Hang Sell is a unique design that sits on top of an existing shelf. Advantages of this system include;

- Better temperature integrity as the air curtain isn't disturbed.
- Better display as the product is at the front of the shelf instead of the rear of the chiller.
- Shelf lighting remains in place to further enhance the product display.
- Can fit most models of Multideck

MODEL PS MD900 HANG SELL

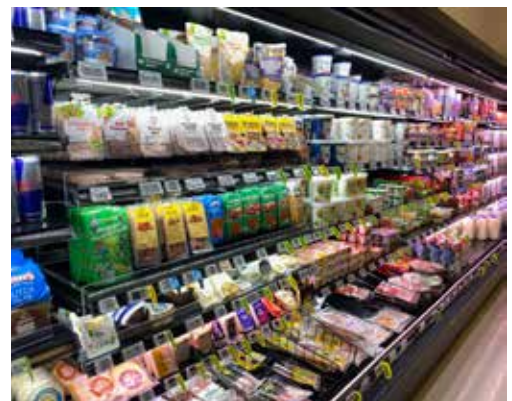
- Adjustable cross bars to suit a variety of products
- 8 x 300mm deep Hang Sell prongs with ticket flappers.
- Frame dimensions 900mm W x 405mm D
- 304 Stainless steel
- Supplied in a kit, ready to install

Price \$395

MODEL PS MD1200 HANG SELL

- Adjustable cross bars to suit a variety of products
- 10 x 300mm deep Hang Sell prongs with ticket flappers.
- Frame dimensions 1200mm W x 405mm D
- 304 Stainless steel
- Supplied in a kit, ready to install

Price \$445



MSX Temperature Monitoring is a fully managed solution, we can take care of the installation, configuration, training and maintenance nationally. MSX wireless sensors can easily be installed in coolrooms, freezers, display cabinets and more.

Alarm notifications are sent instantly via SMS and email, and hourly summary reports can be sent daily to your inbox for compliance purposes.

MSX SOLVES 3 SIGNIFICANT PROBLEMS:

Finding out too late about an equipment malfunction can result in thousands of dollars worth of damage and product loss.

Manually checking and recording temperatures several times a day for food safety reporting can add up to hours of lost time.

Using paper to record temperature is error-prone and easy to lose or damage. Trying to find data later is a slow manual process.

MSX has been developed in New Zealand to suit the needs of many industry groups including:

- Supermarkets and Convenience stores
- Food Processors and Manufacturers
- Hotels and Restaurants
- Fast Food Chains
- Laboratories -Pharmaceutical and Vaccine storage
- Cold Storage-warehousing, distribution and transport

The batteries last well over a year and all data is available to you 24/7 on our industry leading web platform on desktop and mobile.



RCW-2100 DEVICES

Operating Temperature: -30°C to +65°C
 External Sensor Range: -55°C to +155°C
 Accuracy: ±0.5°C
 Offline Capacity: 20,000 data points
 Log interval: 1 min - 24 hours
 Battery Life: 1 year @ 10 min intervals
 Protection grade: IP65
 Dimensions: 100 x 62 x 24mm
 Battery: 2 x ER14335 3200 mAh lithium
 Case: Removable magnetic



RCW-2200 DEVICES

Operating Temperature: -20°C to +65°C
 External Sensor Range: -150°C to +150°C
 Accuracy: ±0.5°C
 Offline Capacity: 20,000 data points
 Log interval: 1 min - 24 hours
 Battery Life: 1 year @ 10 min intervals
 Protection grade: IP64
 Dimensions: 110 x 70 x 18mm
 Battery: Rechargeable 4.2V lithium
 Case: Removable magnetic



RCW-2000 COLLECTORS

Range to Sensors: 100m line-of-sight
 Dimensions: 130 x 130 x 35mm
 Capacity: 2 or 30 sensors
 Power Supply: 240V AC
 Internal Backup Battery: up to 2 days
 Network: WiFi 2.4GH WPA2
 Operating Temperature: -10°C to 45°C





GENERALFUSHI

VICTORIA SERIES

STANDARD FEATURES

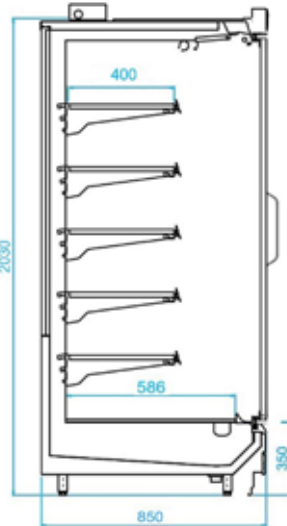
- Doors - Frameless, soft-closing - DC models only
- 5 Adjustable Shelves Plus Base
- EC Fan energy efficient motors
- Slow release night-blinds - open case only
- Digital Temperature Control & Display
- LED, Shelf and Canopy lighting
- Shelf Fences and Price Ticket strips
- Standard Colour - Black Interior
- Standard Colour - Black Exterior
- Robust Trolley Bumpers

OPTIONS

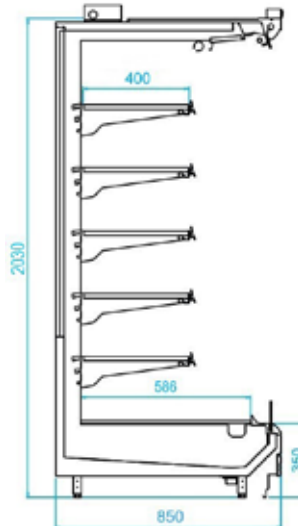
- D= Dairy +1°C / +4°C
- M = Meat -1°C / +1°C
- 2 heights - 2030mm and 2280mm
- Top Mirrors
- Hang Sell Bars and Prongs
- White Interior - Ex Factory
- External decor panels painted to suit Ex Factory
- Solid Mirror End Walls (40mm)
- Panoramic Glass End Walls (40mm)
- Multiplex joining to make display line ups



With Doors



Open Front



	Model	Dimension/mm
	VVN2035D/M-R04DC	1250 x 850 x 2030
	VVN2035D/M-R06DC	1875 x 850 x 2030
	VVN2035D/M-R08DC	2500 x 850 x 2030
	VVN2035D/M-R12DC	3750 x 850 x 2030
2.0m	VVN2035D/M-RECCDC	1875 x 850 x 2030

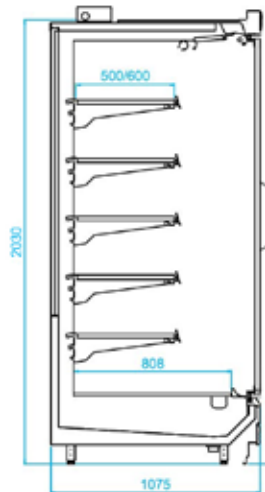
	Model	Dimension/mm
	VVN2035D/M-R04C	1250 x 850 x 2030
	VVN2035D/M-R06C	1875 x 850 x 2030
	VVN2035D/M-R08C	2500 x 850 x 2030
	VVN2035D-M-R12C	3750 x 850 x 2030
2.0m	VVN2035D/M-RECC	1875 x 850 x 2030

STANDARD FEATURES

- Doors - Frameless, soft-closing - DC models only
- 5 Adjustable Shelves Plus Base
- EC Fan energy efficient motors
- Slow release night-blinds - open case only
- Digital Temperature Control & Display
- LED, Shelf and Canopy lighting
- Shelf Fences and Price Ticket strips
- Standard Colour - Black Interior
- Standard Colour - Black Exterior
- Robust Trolley Bumpers

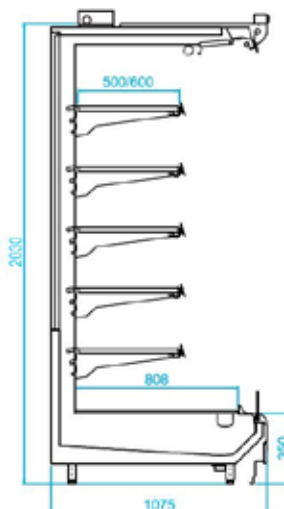
OPTIONS

- D= Dairy +1°C / +4°C
- M = Meat -1°C / +1°C
- 2 heights - 2030mm and 2280mm
- Top Mirrors
- LED Lighting
- Hang Sell Bars and Prongs
- White Interior - Ex Factory
- External decor panels painted to suit Ex Factory
- Solid Mirror End Walls (40mm)
- Panoramic Glass End Walls (40mm)
- Multiplex joining to make display line ups



With Doors

Model	Dimension/mm
VVW2035D/M-R04DC	1250 x 1075 x 2030
VVW2035D/M-R06DC	1875 x 1075 x 2030
VVW2035D/M-R08DC	2500 x 1075 x 2030
VVW2035D/M-R12DC	3750 x 1075 x 2030
2.0m VVW2035D/M-REDC	2190 x 1075 x 2030



Open Front

Model	Dimension/mm
VVW2035D/M-R04C	1250 x 1075 x 2030
VVW2035D/M-R06C	1875 x 1075 x 2030
VVW2035D/M-R08C	2500 x 1075 x 2030
VVN2035D-M-R12C	3750 x 1075 x 2030
2.0m VVW2035D/M-RECC	2190 x 1075 x 2030

GENERALFUSHI

VOLGA SERIES

STANDARD FEATURES

- EC Fan energy efficient motors
- Digital Temperature Display
- Heated self closing glass doors
- Vertical LED Mullion Lighting
- Standard Colour - Black Interior
- Standard Colour - Black Exterior
- Robust Trolley Bumpers

OPTIONS

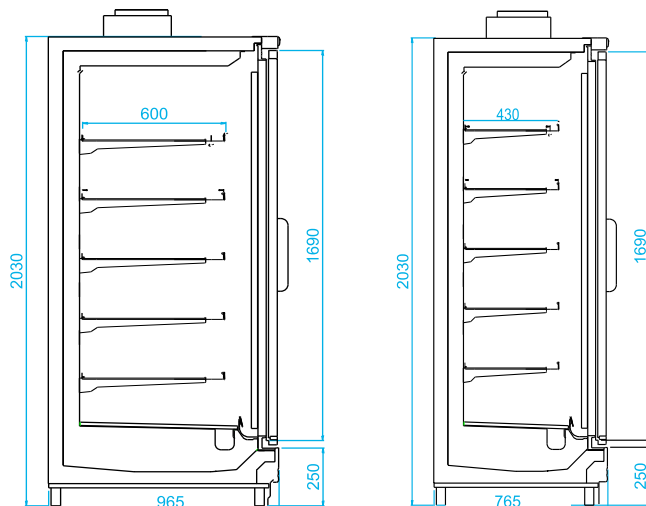
- L - Glass Door Freezer version
- D - Glass Door Chiller version
- Available in 2 heights 2030mm or 2280mm
- Available in 2 widths 765mm or 965mm
- White Interior ex factory
- External decor panels painted to suit ex factory
- Multiplex joining to make display line ups
- Solid End Wall (40mm)



Models: L = Freezer / D = Chiller

Wide	Dimension/mm
VGW20L/D-R2DB (2 Door)	1500 x 965 x 2030
VGW20L/D-R3DB (3 Door)	2250 x 965 x 2030
VGW20L/D-R4DB (4 Door)	3000 X 965 X 2030
VGW20L/D-R5DB (5 Door)	3750 x 965 x 2030

Wide	Dimension/mm
VGN20L-R2DB (2 Door)	1500 x 765 x 2030
VGN20L-R3DB (3 Door)	2250 x 765 x 2030
VGN20L-R4DB (4 Door)	3000 x 765 x 2030
VGN20L-R5DB (5 Door)	3750 x 765 x 2030



GENERALFUSHI

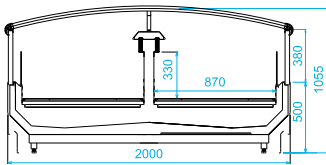
VANCOUVER SERIES

STANDARD FEATURES

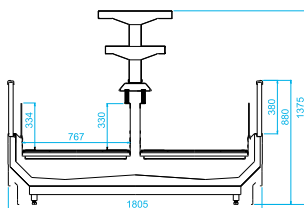
- Wide Island Supermarket style cabinet for connection to remote refrigeration system
- Energy Efficient EC Fans
- Adjustable Internal Racks
- Digital Temperature Display
- Robust Trolley Bumpers
- Can be multiplexed (joined) to make display line up seamlessly

OPTIONS

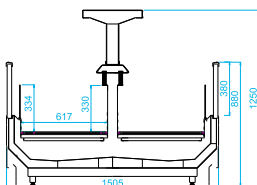
- Glass Sliding Lids
- 4 Width Options
- Wrap Around Matching Crown End Cabinet
- Black or White Interior
- Exterior Decor panels painted to suit ex-factory
- Solid or Panoramic View End Wall Options (40mm)
- Solid Walls Option
- Stainless Steel Trolley Bumpers
- Interior Dividers



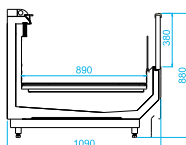
Model	Dimension/mm
VIW2088L-R06A	1875 x 2000 x 880
VIW2088L-R08A	2500 x 2000 x 880
VIW2088L-R12A	3750 x 2000 x 880
VIW2088L-RUCA	2000 x 1090 x 880



Model	Dimension/mm
VIW1888L-R06A	1875 x 1800 x 880
VIW1888L-R08A	2500 x 1800 x 880
VIW1888L-R12A	3750 x 1800 x 880
VIW1888L-RUCA	1800 x 1090 x 880



Model	Dimension/mm
VIW1588L-R06A	1875 x 1500 x 880
VIW1588L-R08A	2500 x 1500 x 880
VIW1588L-R012A	3750 x 1500 x 880
VIW1588L-RUCA	1500 x 1090 x 880



Model	Dimension/mm
VIS1188L-R06A	1875 x 1090 x 880
VIS1188L-R08A	2500 x 1090 x 880
VIS1188L-R12A	3750 x 1090 x 880
VIS1188L-RUCA	2285 x 1090 x 880



DL-DELI, MT-MEAT AND F-FISH

GENERALFUSHI

VENICE AND VENUS SERIES

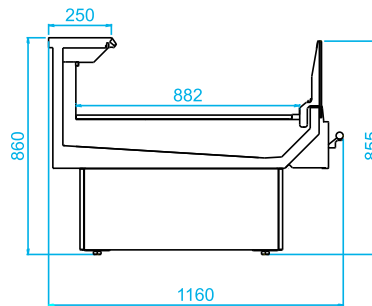
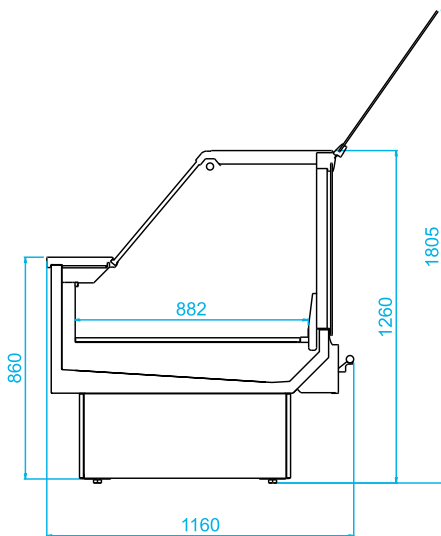
STANDARD FEATURES

- Supermarket cabinet for connection to remote refrigeration system
- Straight Lift up front glass Serve-over
- Ventilated Refrigeration
- LED Internal Lighting
- Can be multiplexed (joined) to make display line up seamlessly
- Stainless Steel Interior Racks
- Rear Sliding Doors
- Digital Thermostat and Temperature Display



OPTIONS

- Black or White Interior
- External decor panels painted to suit ex Factory
- Solid Mirror End Walls (40mm)
- Panoramic Glass End Walls (40mm)
- Plug-In Integral Version Available
- Curved Front Glass
- Pedestal Base Option
- Scale Platform
- Stainless Steel Trolley Bumpers



Venus - Self Service Option

Model	Dimension/mm
VSGBJM-R04VA	1250 x 1160 x 1260
VSGBJM-R06VA	1875 x 1160 x 1260
VSGBJM-R08VA	2500 x 1160 x 1260
VSGBJM-R12VA	3750 x 1075 x 1260
VSGBJM-RL0AVA	1690 x 1075 x 1260
VSGBJM-RVIAVA	1137 x 1293 x 1260



Curved Front pedestal Option

ESSENTEC REFRIGERATION CO is a leading manufacturer of compact packaged type condensing units suitable for Medium temperature and Freezer temperature applications.

Essentec use leading technology for the construction of their equipment and choose only quality refrigeration components from the worlds leading manufacturers including Danfoss, Coupland, Tecumseh, ABB & EBM.



MT - MEDIUM		Nominal Capacity Conditions -5°C SST, 30°C Ambient, 20°C Suction R449a					
Part #	Nominal HP	Capacity Kw Nom	Dimensions			Weight	Retail Price
MEDIUM TEMPERATURE			W	D	H	Kg	
EI100DGM/H-B	1	1.83	1030	380	700	50	\$3,790
EI150DGM/H-B	1.5	2.29	1030	380	700	50	\$3,990
EI200DGM/H-B	2	4.23	1030	380	700	70	\$4,750
EI250DGM/H-B	2.5	4.75	1030	380	700	72	\$4,990
EI350SGM/H-B	3.5	6.46	1120	430	800	80	\$5,550
EI500SGM/H-B	5	10.07	1120	430	1255	105	\$6,580
EI600SGM/H-B	6	11.88	1120	430	1255	110	\$7,250
EI800SGM/H-B	8	15.68	1380	480	1315	130	\$9,450
EI1000SGM/H-B	10	20.62	1470	510	1360	145	\$10,775

Other sizes available upon request - POA



LT - LOW		Nominal Capacity Conditions -25°C SST, 30°C Ambient, 20°C Suction R449a					
Part #	Nominal HP	Capacity Kw Nom	Dimensions			Weight	Retail Price
LOW TEMPERATURE			W	D	H	Kg	
EI150DGL-B-D	1.5	1.49	1030	380	700	50	\$5,475
EI200DGL-B-D	2	2.07	1030	380	700	70	\$5,850
EI300DGL-B-D	3	2.80	1120	430	800	80	\$6,650
EI400SGL-B-D	4	4.42	1120	430	800	85	\$7,350
EI600SGL-B-D	6	4.98	1120	430	1255	110	\$9,150
EI900SGL-B-D	9	8.74	1470	510	1360	165	\$11,660
EI1200SGL-B-D	12	11.93	1470	510	1360	190	\$12,990

Other sizes available upon request - POA

DG = 1 Phase SG = 3 Phase M = Medium Temp L = Low Temp

Technical specifications may change without notice.

DC Fan Motor in models 100 to 800, AC Fan Motors in models 900 to 1200.

Multi functional PCB Board with LED display gives the unit ability to operate with functions such as thermostat or a pump down cycle.

Pump down function optional. Fan speed controlled by actual system load.

Units complete with as standard - filter drier, receiver, pressure relief valve, sightglass, HP/LP pressure switches, oil separator, service valves, HP&LP service gauges, crankcase heater, electrical isolater switch, contactor & overload, PCB & electrical components fully wired.

Suction accumulator and liquid line solenoid valve on LT Units only.





CoSell is proud to represent Teko as the exclusive New Zealand agent for their high-performance CO₂ refrigeration systems.

CO₂ solutions are energy efficient with one of the lowest negative impacts on the environment. Teko is the world leader in terms of innovation, energy efficiency and build quality. All units are made in their German factory with cutting-edge technology and adhere to strict European standards. Teko employ a large team of engineers with a drive for perfection. Every unit is made with the best components and is tested with helium, providing customers the reassurance of a problem free solution.

CoSell shares the same ambition to provide quality solutions for our customers..

- **World leaders in CO₂ technology**
- **World leaders in energy efficient CO₂ design**
- **World leading tube processing centre with fully automated Pipe Bending creating reduced brazed joints.**
- **Sound Proofing housing creating one of the quietest units in the world**
- **Fast build times**
- **Only World leading components used**
- **Helium leak test on every unit up to 1 g/year.**



ROXSTAair
up to 20 KW



ROXSTAcube
up to 70 KW



ROXSTAcube pro
up to 100 KW



ROXSTA G6
up to 640 KW



ROXSTAmicro
up to 4 KW



ROXSTAair
up to 20 KW



ROXSTAcube mini
up to 50 KW



ROXSTAcube
up to 70 KW



ROXSTAcube mini s
up to 90 KW



ROXSTAcube pro
up to 100 KW



ROXSTAsmart
up to 200 KW



ROXSTA2.0
up to 320 KW



ROXSTAG6
up to 640 KW



ROXSTAindustrial
up to 960 KW

LED LIGHTING - COOLROOMS AND FREEZER ROOMS

25W LED Light V-W-025

1 lamp sufficient for rooms up to 2.4m³

\$55

Dimensions:	194 x 92.6 x 57.5mm	
Features:	Max power: 25W	Protection grade: IP65
	Working temperature: -40°C - 66°C	Working humidity: 10% - 95%
	Installation: ceiling/wall by screws	Colour temperature: 6000K
	Material: Aluminium lamp body base, PC cover, aluminium PCB board, waterproof LED driver, rubber cable, VDE cable	



ENERGY SAVING NIGHT BLINDS

PVC1220 Night Blinds

\$160

Dimensions:	1220mm long x 1800mm drop
Features:	PVC Double action manual night blind
	Easy fit system suitable for most models of multidecks
	Other sizes options available-POA



Cloth1220 Night Blinds

\$225

Dimensions:	1220mm long x 1800mm drop
Features:	Manual pull up blind with retaining hook
	Easy fit system suitable for most models of multidecks



DIGITAL TEMPERATURE CONTROLLERS

PJEZC00000 Carel-Easy

\$215

Dimensions:	71mm x 29mm Standard mounting size
Applications:	Coolrooms/Freezer rooms, Chiller & Freezer cabinets
Features:	2 x Temperature probes
	Power Supply 240 Vac
	3 relays, Compressor 8 Amps, Defrost 8 Amps, Fans 8 Amps
	2 x NTC temp probe inputs
	1 digital or 3rd NTC temp probe input
	Internal audible alarm



ECB1000Q Elitech - Multi Electric Control Box

\$395

Dimensions:	262mm L x 190mm H x 85mm D - Standard mounting size
Applications:	ECB-1000Q is widely used for the small and medium size cold storage, with the function of refrigeration, defrost, fan, light control, alarm and time display.
Features:	Temperature measuring range -50°-99°C
	Power Supply 220 Vac
	Relay capacity of Compressor - 50A/240VAC Max
	Alarm 5A/220VAC storage temperature
	Operating temperature -5°C-60°C
	Sensor Type: NTC(10KΩ/25°C, B-3435K)



LED LIGHTS - GLASS DOOR CHILLER OR FREEZER INSERTS

The CoSell LED Lighting System can be easily retrofitted into an existing door insert.

Upgrading from fluorescent tubes to energy efficient, bright LED's makes sound commercial sense and will lift the quality of your display.



24 Watt Twin Middle LED
14 Watt Single LED



1500mm long

LED LIGHT COMBO'S		
1 door	2 x LED Tubes, 1 x Driver	\$295
2 door	3 x LED Tubes, 1 x Driver	\$530
3 door	4 x LED Tubes, 1 x Driver	\$680
4 door	5 x LED Tubes, 1 x Driver	\$920
5 door	6 x LED Tubes, 1 x Driver	\$1,070
6 door	8 x LED Tubes, 2 x Driver	\$1,430
7 door	9 x LED Tubes, 2 x Driver	\$1,600
8 door	10 x LED Tubes, 2 x Driver	\$1,765
9 door	11 x LED Tubes, 2 x Driver	\$1,990
10 door	12 x LED Tubes, 2 x Driver	\$2,210





SilverChef Certified Used

CoSell Limited is proud to be the service and repair agent for SilverChef, a leading hospitality equipment funder.

SilverChef has a variety of quality ex-rental commercial hospitality equipment available for rental or purchase which has been professionally cleaned and serviced by us and is supplied with a 3 month parts and labour warranty.

Whether you are a small family restaurant, franchise group or catering service, securing the equipment you need can be a considerable upfront cost, that's where SilverChef comes in.

They have flexible finance options to suit all kinds of businesses.

Don't dream, Do.

Rent-Try-Buy®

Is a 12-month agreement that lets you try before you buy and save your working capital rather than spending it on depreciating assets.



Certified Used

Check out a wide range of equipment available such as deep fryers, ovens, coffee machines and dishwashers plus much more.



Contact us today to see the great range of quality ex-rental equipment we have in stock or visit our showroom at **85-89 Leonard Road, Mt Wellington, Auckland.**

Ph: 09 527 0701 | cosell.co.nz





WHAT ELSE DO WE DO?

SERVICE AND INSTALLATION



Our team of skilled technicians install, service and maintain all of the equipment that we sell.

We provide 24 hour/7 day service and partner with the best regional service companies to provide our customers with nationwide coverage. Integral to the success of the CoSell business is the quality of people. Both our installation teams and service technicians are highly skilled and trained in the latest techniques to meet the industry standards. Our commercial refrigeration installations teams are well regarded in the industry as being dynamic diligent technicians that are customer focused. We often exceed customers' expectations with minimal disruption to the business but great attention to detail.

Our service technicians are experts in their field and focus on providing the right solutions to improve efficiencies and reduce costs whilst future proofing your refrigeration needs. Maintenance of refrigeration equipment is vital in extending the commercial life of the customer's investment. It will also reduce down time and reduce product losses.

Our National Maintenance Programme (NMP) is a customisable automated system to provide customers with assurance their equipment is kept in good working order. NMP can be designed to suit each customer site requirements. The refrigeration industry is constantly evolving, with a greater focus than ever before on energy efficient and sustainable systems with reduced carbon emissions. Like always it's important to seek professional advice and partner with a company that recognises the value of forming great long-term relationships with its customers.

CoSell prides itself on offering sound practical advice and providing quality, cost effective solutions for its customers.

BRANDED PROMOTIONAL CHILLERS AND FREEZERS



HOTEL/MOTEL MINI BAR FRIDGES



SPECIALTY PRODUCTS



RENTALS AND FINANCE

We can offer a variety of options for rental, lease and finance on our equipment to suit our customers requirements. Let us know your needs and we'll find the best solution to suit.



SPECIALTY PRODUCTS

If you can't find what you're looking for in this catalogue please contact us and we'll let you know what options may be available from our extensive supplier network. We look forward to your enquiry.



EXPORT

CoSell regularly supplies refrigeration equipment and expertise to customers throughout the Pacific Islands.

Care is taken to select the correct solution for the prevailing ambient conditions.



TERMS AND CONDITIONS

Prices shown are ex Auckland and exclude freight and installation unless otherwise stated.



WARRANTY

Conditional 12 months parts and labour.



GENERAL

CoSell endeavours to keep technical product information current. Our manufacturers however are making continual improvements to their products and some specifications may change without notice and without CoSell incurring any obligation.



SHOWROOM AUCKLAND

85 - 89 Leonard Road, Mt Wellington, Auckland

☎ Ph: (09) 527 0701

✉ Email: sales@cosell.co.nz



SHOWROOM CHRISTCHURCH

6 Kennaway Road, Woolston, Christchurch

☎ Ph: (03) 389 8268

✉ Email: chch@cosell.co.nz